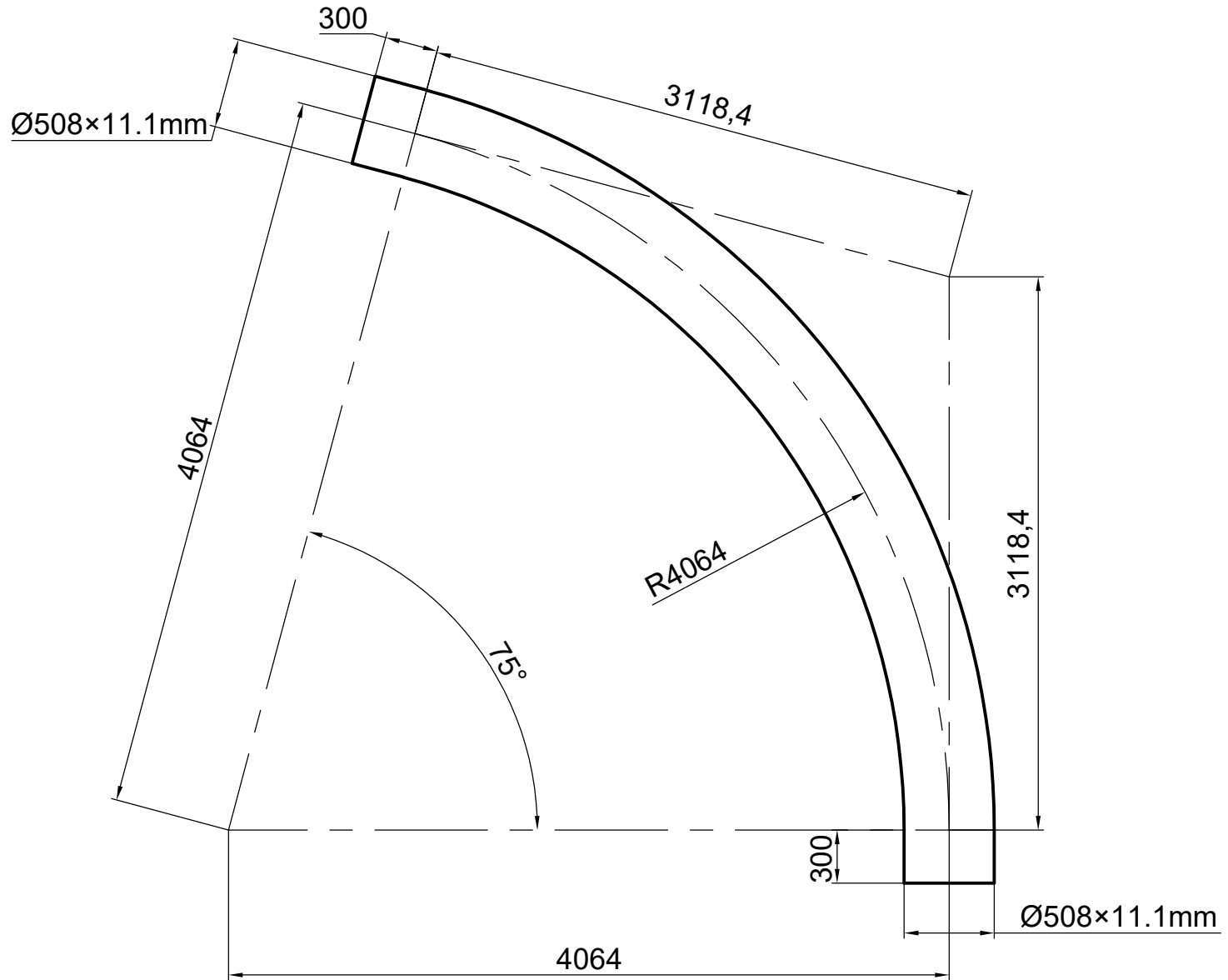


www.haihaoping.com



Hebei Haihao Group

NO.	DESCRIPTION	SIZE	OD	WT	R	MATERIAL	STANDARD	QTY	CODE	Proportion	Date	Drawing number
										1:40	2023-05-08	HH - 063
1	90DEG 8D Bends 300mm length	20"	508	11.1	4064	API X60 PSL2	ASME B16.49	2	730793			

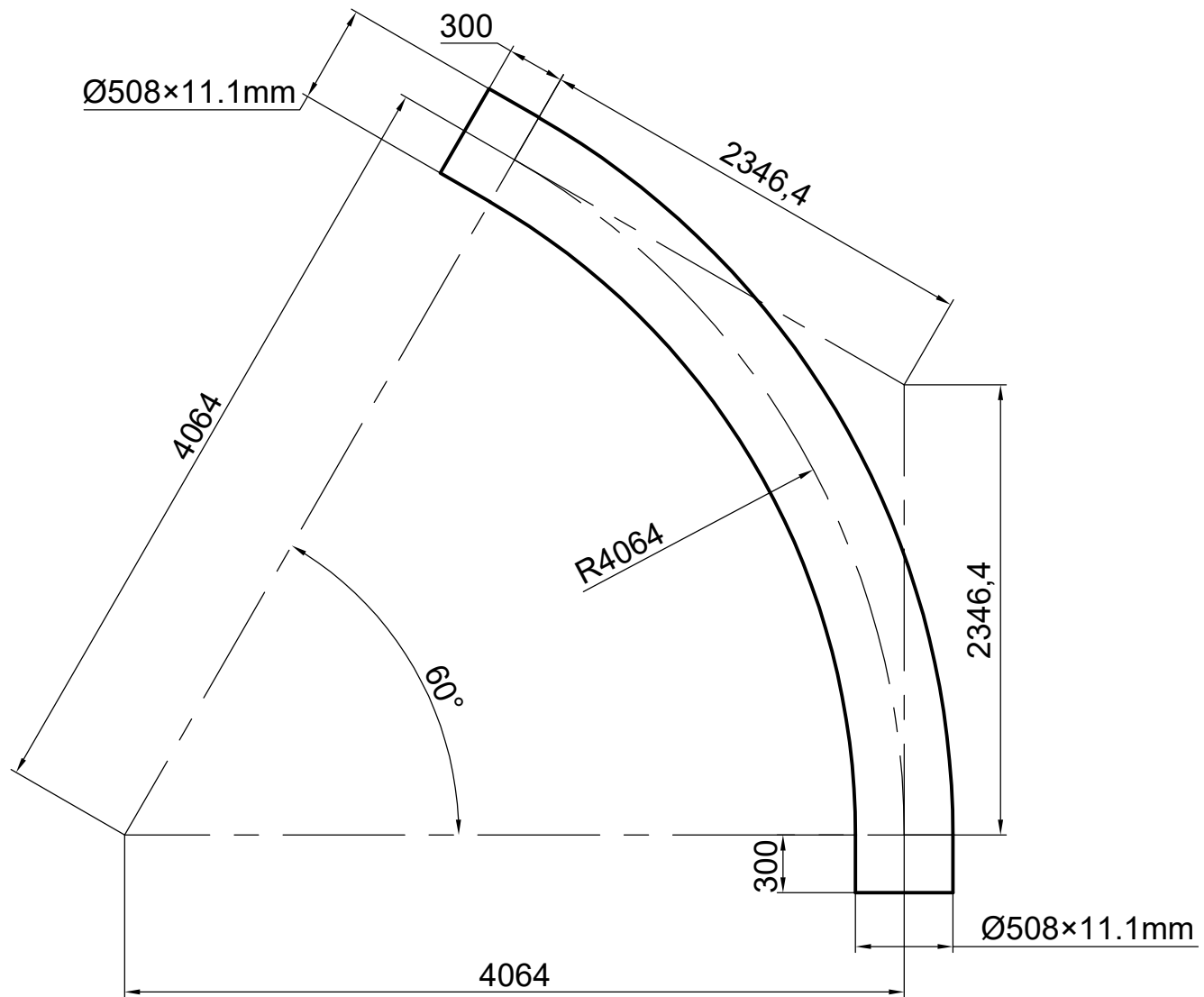


www.haihaoping.com



Hebei Haihao Group

NO.	DESCRIPTION	SIZE	OD	WT	R	MATERIAL	STANDARD	QTY	CODE	Proportion	Date	Drawing number
										1:40	2023-05-08	HH - 062
2	75DEG 8D Bends 300mm length	20"	508	11.1	4064	API X60 PSL2	ASME B16.49	6	730793			

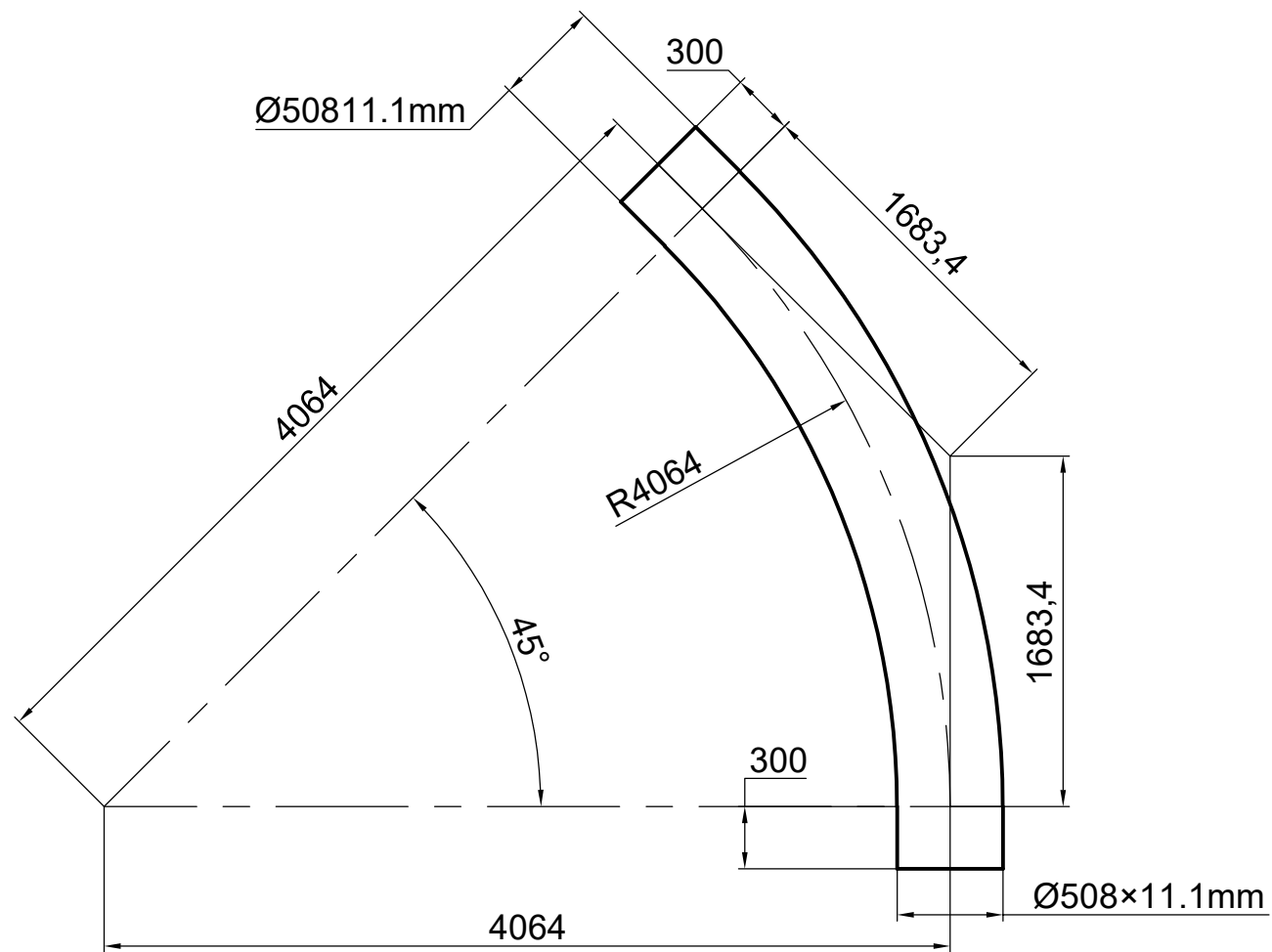


www.haihaoping.com



Hebei Haihao Group

NO.	DESCRIPTION	SIZE	OD	WT	R	MATERIAL	STANDARD	QTY	CODE	Proportion	Date	Drawing number
										1:40	2023-05-08	HH - 061
4	60DEG 8D Bends 300mm length	20"	508	11.1	4064	API X60 PSL2	ASME B16.49	30	730793	1:40	2023-05-08	HH - 061

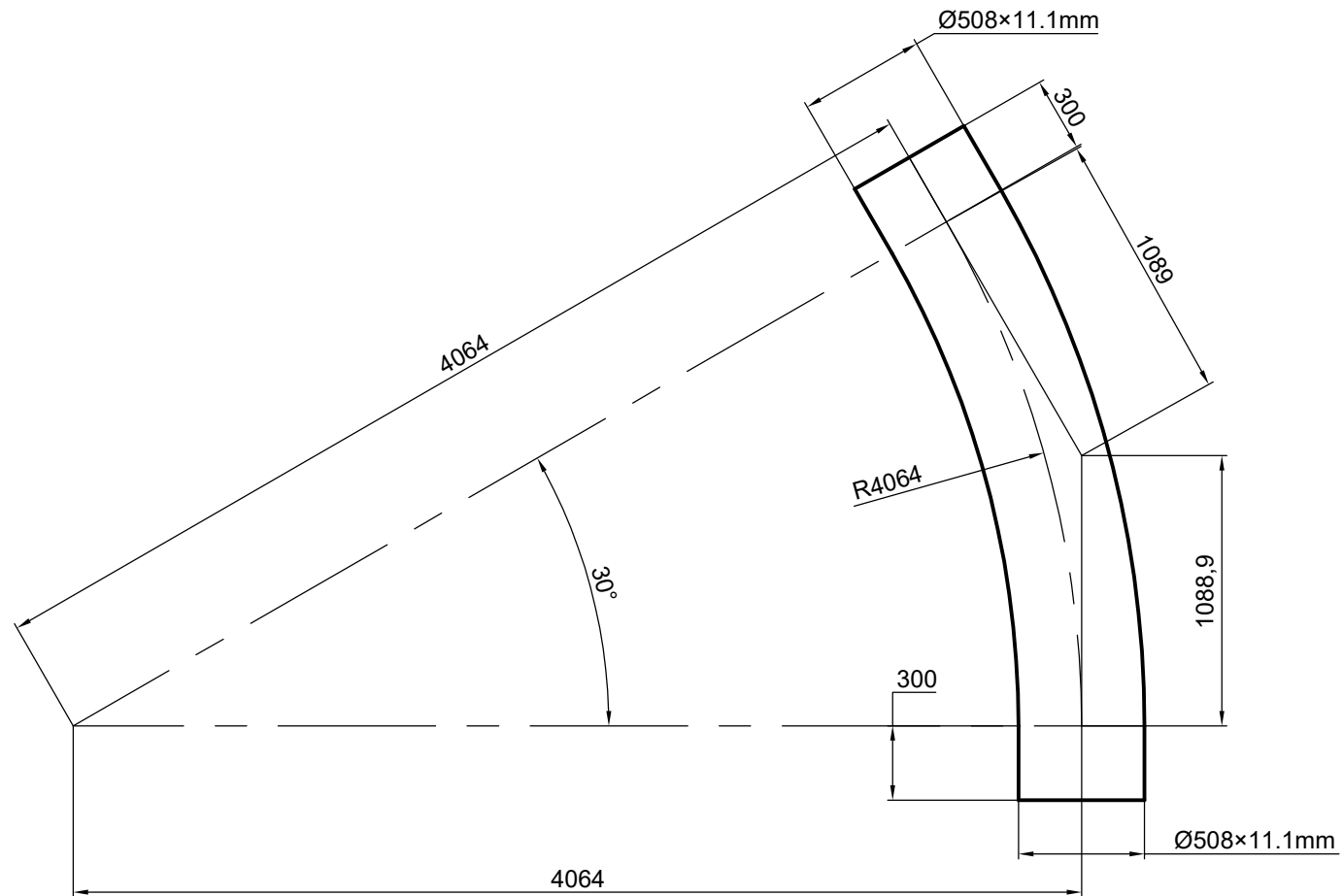


www.haihaoping.com



Hebei Haihao Group

NO.	DESCRIPTION	SIZE	OD	WT	R	MATERIAL	STANDARD	QTY	CODE	Proportion	Date	Drawing number
										1:40	2023-05-08	HH - 060
5	45DEG 8D Bends 300mm length	20"	508	11.1	4064	API X60 PSL2	ASME B16.49	85	730793	1:40	2023-05-08	HH - 060

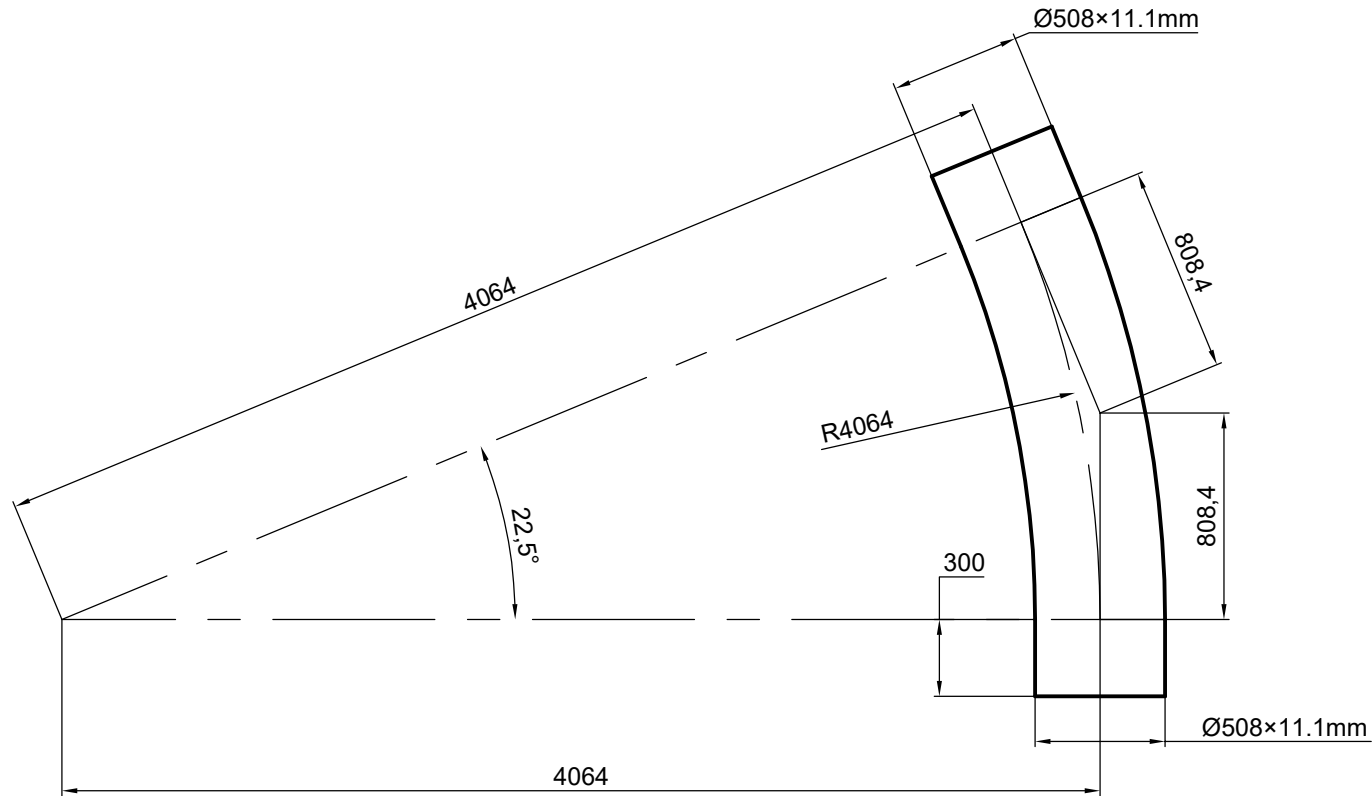


www.haihaoping.com



Hebei Haihao Group

NO.	DESCRIPTION	SIZE	OD	WT	R	MATERIAL	STANDARD	QTY	CODE	Proportion	Date	Drawing number
										1:40	2023-05-08	HH - 059
5	30DEG 8D Bends 300mm length	20"	508	11.1	4064	API X60 PSL2	ASME B16.49	80	730793	1:40	2023-05-08	HH - 059

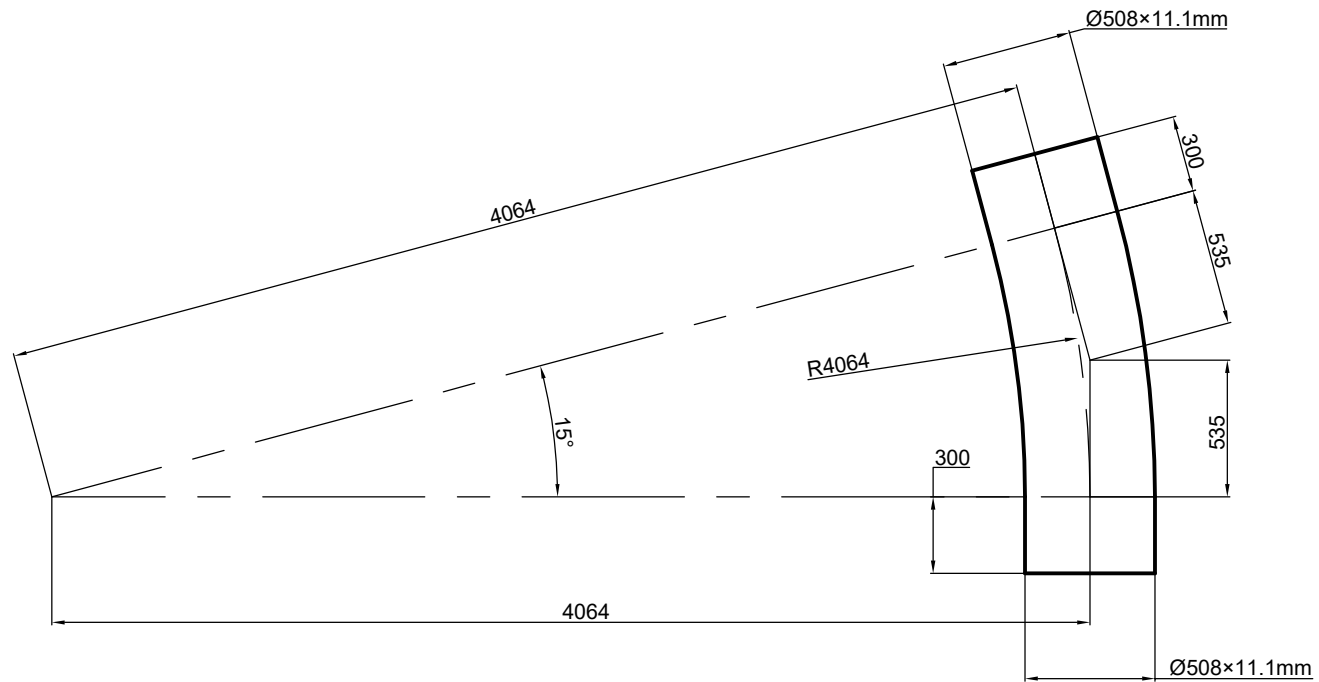


www.haihaoping.com



Hebei Haihao Group

NO.	DESCRIPTION	SIZE	OD	WT	R	MATERIAL	STANDARD	QTY	CODE	Proportion	Date	Drawing number
6	22.5DEG 8D Bends 300mm length	20"	508	11.1	4064	API X60 PSL2	ASME B16.49	120	730793	1:40	2023-05-08	HH - 058



www.haihaopiping.com



Hebei Haihao Group

NO.	DESCRIPTION	SIZE	OD	WT	R	MATERIAL	STANDARD	QTY	CODE	Proportion	Date	Drawing number
										1:40	2023-05-08	HH - 057
7	15DEG 8D Bends 300mm length	20"	508	11.1	4064	API X60 PSL2	ASME B16.49	90	730793	1:40	2023-05-08	HH - 057